



Features ▶▶▶

- Supports operating temperatures from -25 °C ~ +75 °C
- Full duplex IEEE 802.3x and half duplex backpressure flow control
- Power input 12~48 VDC wide range redundant power inputs
- Automatic MDI/MDI-X crossover for plug-and-play
- DIN-Rail Mounting, Wall Mounting

Introduction

The NS-216 has 16 Ethernet ports that support 10/100 Base-TX, with a 10/100M auto negotiation feature and auto MDI/MDI-X function. It can connect 16 workstations and automatically switches the transmission speed (10 Mbps or 100 Mbps) for corresponding connections.

All Ethernet ports have memory buffers that support the store-and-forward mechanism, which assures that data can be transmitted properly. The NS-216 supports advanced network standards to optimize network performance, reduce maintenance costs, and secure network safety.

The flow control mechanism is also negotiated. There is link/data rate LEDs for each port to aid troubleshooting.

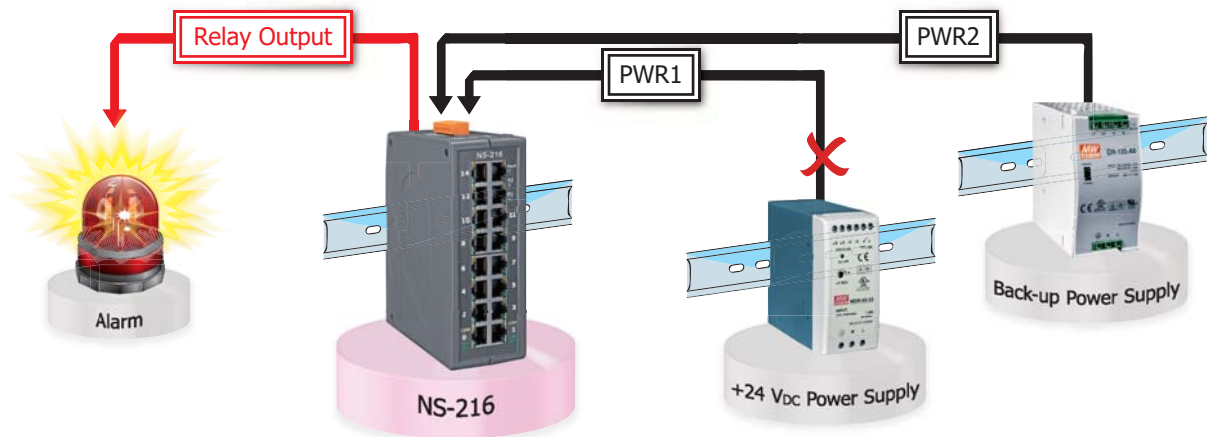
Specifications

Technology	
Standards	IEEE 802.3 for 10Base-T IEEE 802.3u for 100Base-TX IEEE 802.3x for Flow Control, Back Pressure Flow Control Energy Efficient Ethernet (EEE) as per 802.3az; this provides power savings during idle network activity
Processing Type	Store & forward
MAC Addresses	8K
Frame Buffer Memory	2 Mbit

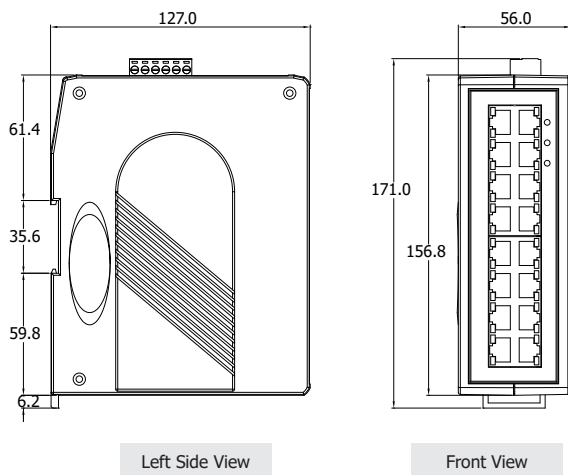
Interface	
RJ-45 Ports	16 x 10/100 Base-TX
LED Indicators	PWR1, PWR2, Fault, Link/Act, Speed
Ethernet Isolation	1500 V _{rms} 1 minute
Power	
Input Voltage Range	+12 V _{dc} ~ +48 V _{dc} Redundant dual Input
Power Consumption	0.04 A @ 24 VDC without loading, 0.10A @ 24VDC full loading 0.02 A @ 48 VDC without loading, 0.06A @ 48VDC full loading
Protection	Power reverse polarity protection
Connector	6-Pin Removable Terminal Block
Mechanical	
Casing	Plastic
Dimensions (W x L x H)	56 mm x 127 mm x 157 mm
Installation	DIN-Rail Mounting or Wall Mounting
Environmental	
Operating Temperature	-25 °C ~ +75 °C
Storage Temperature	-40 °C ~ +85 °C
Ambient Relative Humidity	10 ~ 90% RH, non-condensing

Redundant Power Input

Both power inputs can be connected simultaneously to live DC power sources. If one power source fails, the other live source will act as a backup, and automatically supplies all of NS-216 power needs.



Dimensions (Units: mm)



Ordering Information

NS-216 CR	Unmanaged 16-port Industrial 10/100 Base-TX Ethernet Switch (RoHS)
-----------	--

Accessories

MDR-20-24	24 V/1 A, 24 W Power Supply with DIN-Rail Mounting
DIN-KA52F	24 V/1.04 A, 25 W Power Supply with DIN-Rail Mounting
DIN-KA52F-48	48 V/0.52 A, 25 W Power Supply with DIN-Rail Mounting