



### Features ▶▶▶

- Supports 10/100/1000 Base-TX for PoE in and Data out
- IEEE 802.3af compliant split power/data from PoE equipment
- Power isolation and short circuit protection for power output
- Supports output power up to 10 W at 24 V<sub>DC</sub>
- Slim packaging fits on your DIN-Rail Mounting
- Supports operating temperatures from -40 °C ~ +75 °C

### Introduction

The NS-200PS plays the role of PD, and splits the data signal and power signal that are transmitted from the PSE. The NS-200PS plays a dual role of providing power to industrial devices, and enabling Ethernet connections.

### Specifications

Models	NS-200PS
<b>Technology</b>	
<b>Standards</b>	IEEE 802.3, 802.3u, 802.3x, 802.3af (Power over Ethernet)
<b>PoE Input</b>	
<b>IEEE 802.3af PoE Operation</b>	Powered Device (PD)
<b>PoE Power Input Range</b>	+46 V <sub>DC</sub> ~ +54 V <sub>DC</sub>
<b>PoE Power Input</b>	Automatic detection and classification (power is accepted on either the signal or unused pairs)
<b>Power Output</b>	
<b>Voltage Output</b>	24 V <sub>DC</sub> , 0.42 Amps
<b>Power Output</b>	10 watts
<b>Cable Length</b>	
The specified maximum length of cable allowed between the PoE Switch and Ethernet device should be 100 meters or approximately 300 feet. The NS-200PS is not a repeater and does not amplify the Ethernet data signal. Figure 1 illustrates the maximum length of cable.	
<b>Mechanical</b>	
<b>Casing</b>	Plastic (Flammability UL 94V-0)
<b>Dimensions (W x L x H)</b>	33 mm x 78 mm x 107 mm
<b>Installation</b>	DIN-Rail Mounting
<b>Environment</b>	
<b>Operating Temperature</b>	-40 °C ~ +75 °C
<b>Storage Temperature</b>	-40 °C ~ +85 °C
<b>Ambient Relative Humidity</b>	10% ~ 90% RH, non-condensing

## Applications

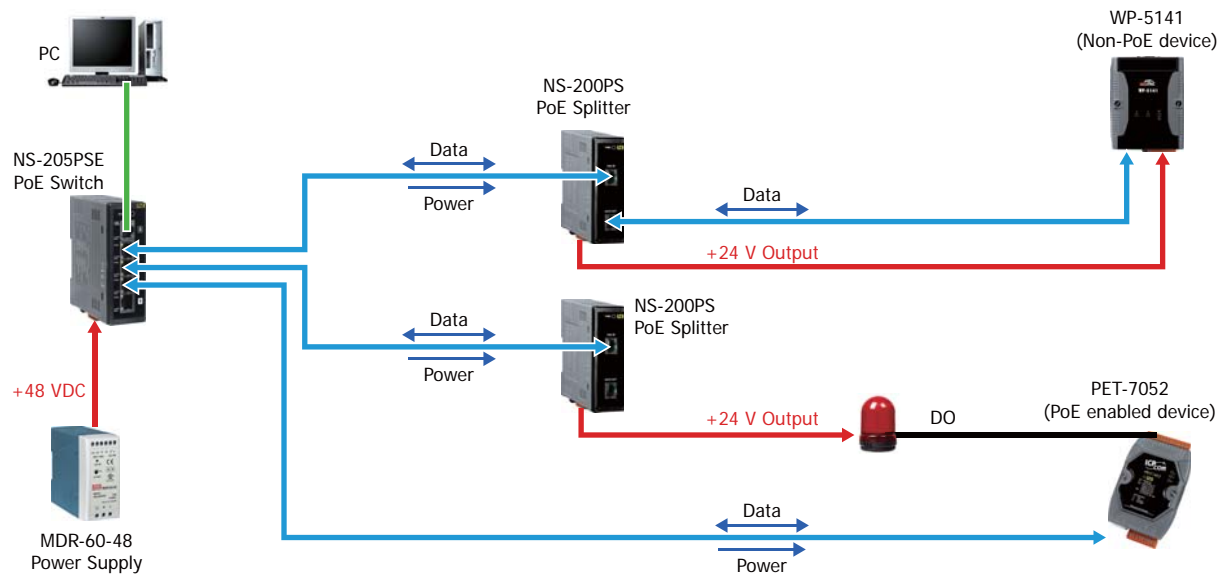
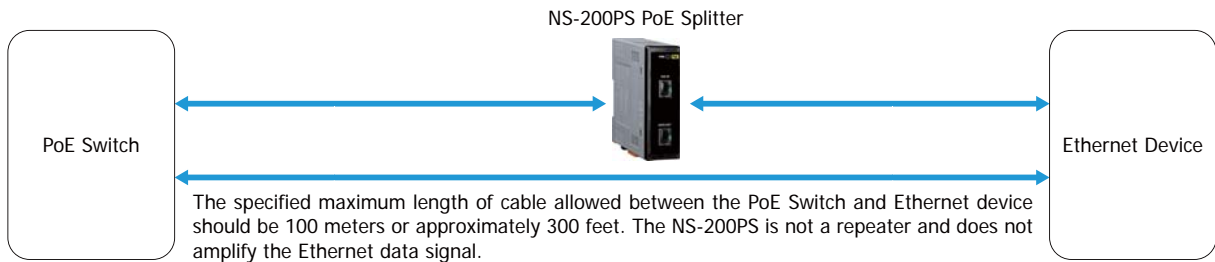


Figure 1. illustrates the maximum length of cable.



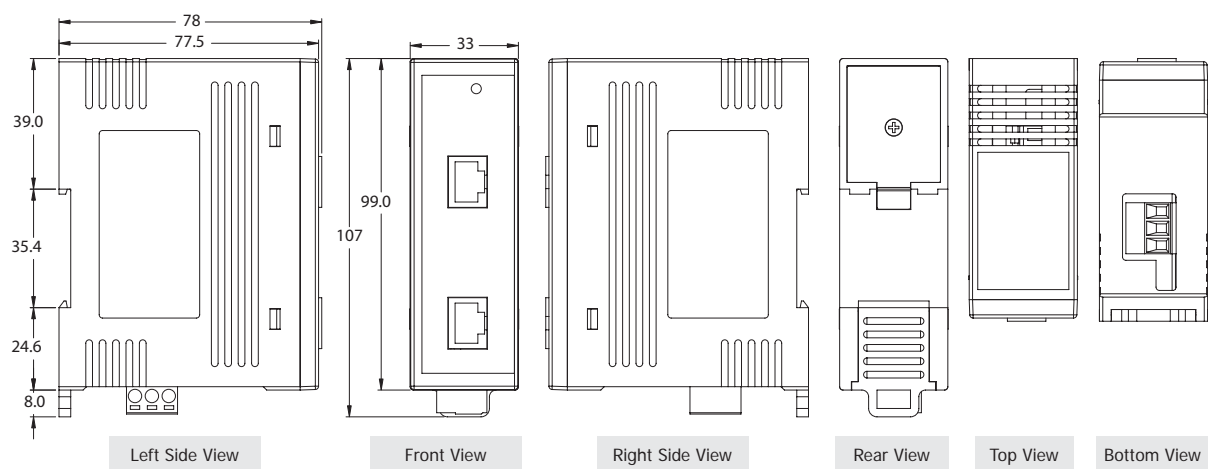
## Pin Function for Terminal Block

**+24V Output:** Power Output (+24 V<sub>DC</sub>); **GND:** Ground  
**F.G.:** F.G. stands for Frame Ground (protective ground). It is optional. If you use this pin, it can reduce EMI radiation; improve EMI performance and ESD protection.

## LED Indicator Functions

LED	Color	Description
PWR	Red On	Power Output is On
	Red Off	Power Output is Off

## Dimensions (Units: mm)



## Ordering Information

NS-200PS CR	Industrial PoE Splitter (RoHS)
-------------	--------------------------------