



I-8024UW-G

4-channel Isolated Analog Output Module

I-8028UW-G

8-channel Isolated Analog Output Module

Features

- 4-/8-channel Voltage or Current Output
- Jumper Selectable Voltage or Current Output
- Individual Channel Configuration
- Short Circuit Protection
- 4 kV ESD Protection
- 2500 Vrms Intra-module Isolation
- 3000 Vdc Isolated of External Power
- Wide Operating Temperature Range: -25 ~ +75 °C



Introduction

The I-8024UW and I-8028UW are Source Type Analog Output Modules, offering 4 and 8 single-ended Analog Output channels. Each channel can be programmed to an individual output range of 0 ~ 5 VDC, ± 5 VDC, 0 ~ 10 VDC, ± 10 VDC, +4 ~ +20 mA or 0 ~ +20 mA.

Open wire detection is provided for +4 ~ +20 mA output. Options for configuring power-on and safe values are included, together with qualification for ± 4 kV ESD protection as well as 2500 Vrms intra-module isolation.

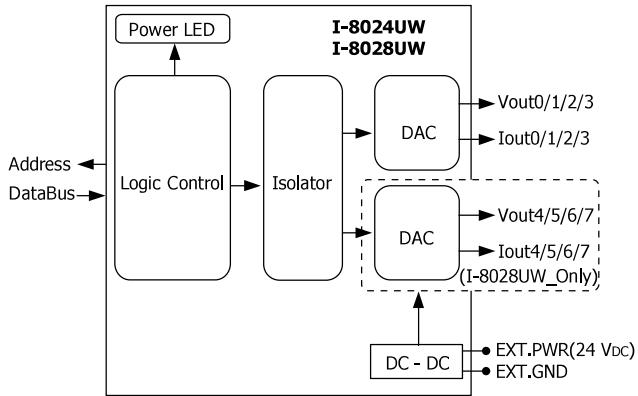
System Specifications

Model	I-8024UW	I-8028UW
LED Indicators/Display		
System LED Indicator	1 LED as Power Indicator	
I/O LED Indicator	-	
Isolation		
Intra-module Isolation, Field-to-Logic	2500 Vrms	
EMS Protection		
ESD (IEC 61000-4-2)	± 4 kV Contact for each Terminal	
Power		
Power Consumption	2 W Max.	
Mechanical		
Dimensions (W x L x H)	31 mm x 129 mm x 114 mm	
Environment		
Operating Temperature	-25 ~ +75 °C	
Storage Temperature	-40 ~ +85 °C	
Humidity	10 ~ 90% RH, Non-condensing	

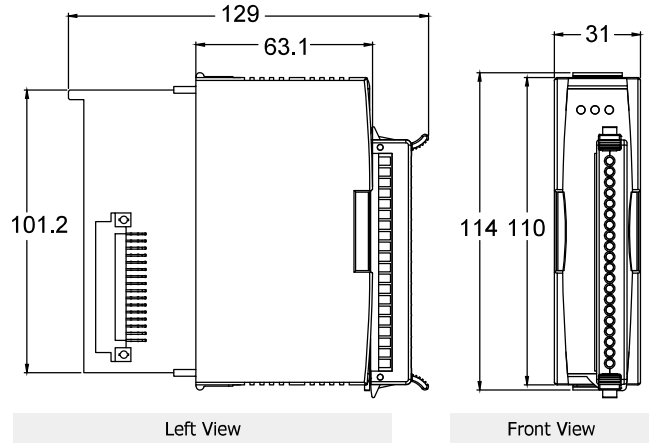
I/O Specifications

Model	I-8024UW	I-8028UW
Analog Output		
Channels	4	8
Current Output Wiring	Source	
Range	0 ~ +5 VDC, ± 5 VDC, 0 ~ +10 VDC, ± 10 VDC, 0 ~ +20 mA, +4 ~ +20 mA	
Resolution	16-bit	
Accuracy	$\pm 0.02\%$ of FSR	
Zero Drift	$\pm 0.2 \mu\text{V}/^\circ\text{C}$	
Span Drift	$\pm 25 \text{ ppm}/^\circ\text{C}$	
Short Circuit Protection	Yes	
Power-on Value	Yes	
Safe Value	Yes	
External Power Requirements		
Reverse Polarity Protection	Yes	
Powered from Terminal Block	Yes, +15 ~ +30 VDC	
Isolation	3000 VDC	

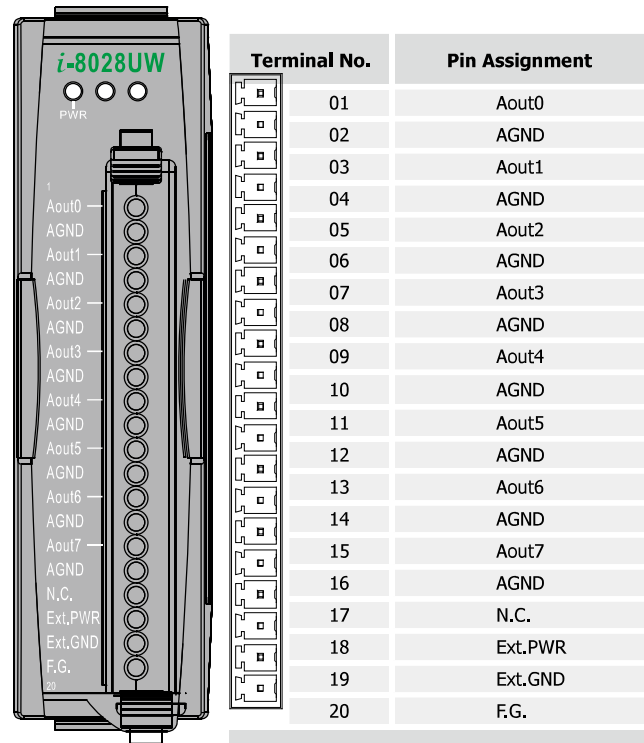
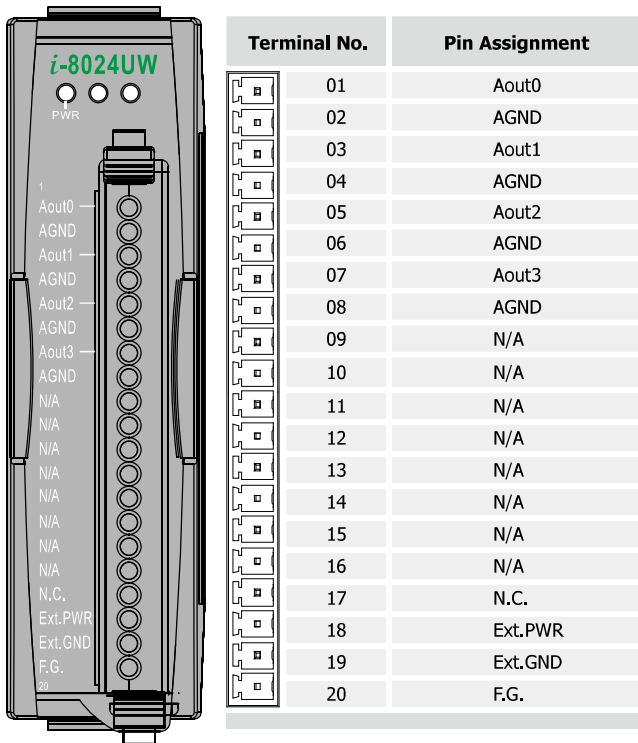
Internal I/O Structure



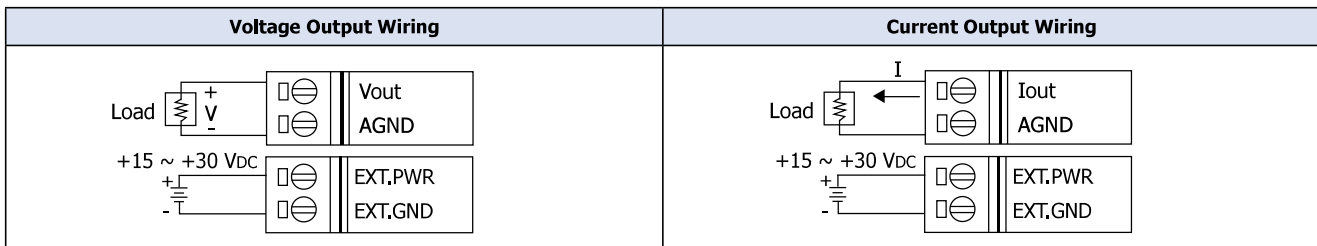
Dimensions (Units: mm)



Pin Assignments



Wire Connections



Ordering Information

I-8024UW-G CR	4-channel Isolated Analog Output Module (Gray Cover) (RoHS)
I-8028UW-G CR	8-channel Isolated Analog Output Module (Gray Cover) (RoHS)