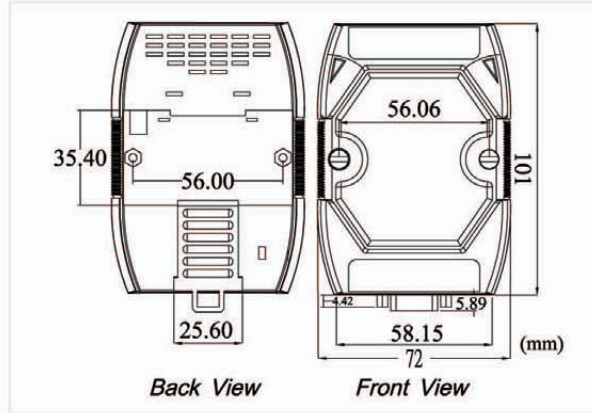


Intelligent USB to CAN Converter



I-7565



Dimensions

The I-7565 is a cost-effective device for integrating the CAN bus to the PC by using the standard USB interface. Nowadays the interface is present in every new PC and is supported by the Windows 98, Me, 2000, XP and Linux operating systems. If you establish the connection between the I-7565 and the PC during the runtime of the computer, the PC automatically loads the relevant device driver (plug & play). After installing the I-7565, the PC can access/control the CAN device by the utility tool or users' application, and be the CAN host, network monitor or CAN-interface HMI. This module let your PC communicate with CAN devices easily by using USB interface.

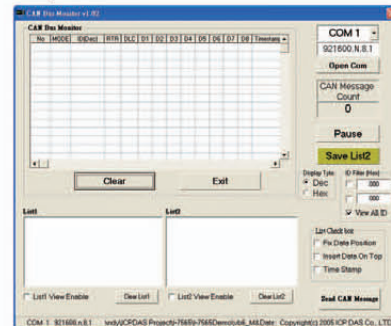
Features

- Microprocessor inside with 20MHz
- RoHS design
- Fully compliant with USB 1.1/2.0(Full Speed)
- Fully compatible with the ISO 11898-2 standard
- Powered by the USB bus
- 82C250 CAN transceiver
- Transmission speed up to 1M bps for CAN and 921.6 kbps for USB
- Support both CAN 2.0A and CAN 2.0B
- Built-in jumper to select 120 Ω terminal resistor
- Power, data flow and error indicator for CAN and USB
- Watchdog inside
- Support Windows 98/ME/2000/XP, and Linux OS

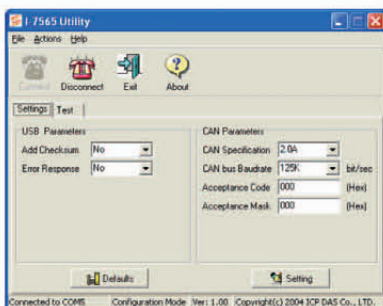
- CAN bus Baud rate configuration
- CAN acceptance filter configuration
- CAN 2.0A or 2.0B specific selection
- Error code response selection
- Utility tool to transmitting / receiving CAN messages

CAN Monitor & Data log Tools

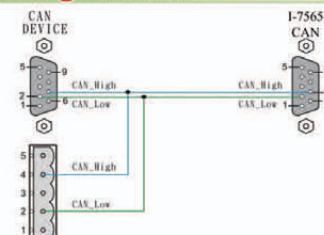
- Show CAN messages by hex or decimal format
- CAN messages with timestamp
- Easy-to-use data logger for the diagnosis of the CAN networks and recording of the received data
- Send the predefined CAN messages manually or cyclically



Utility Features



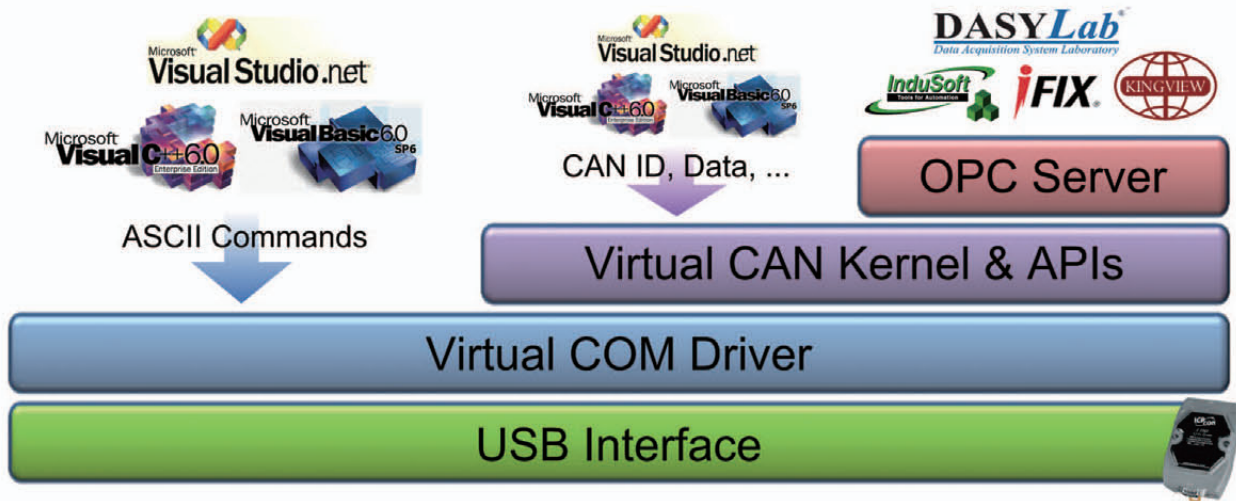
Wire Assignments



Hardware Specifications

CAN Interface	
Controller	Microprocessor inside with 20 MHz
Port Channels	1
Transceiver	Philips 82C250
Connector	9-pin male D-Sub (CAN_L, CAN_SHLD, CAN_H, N/A for others)
Baud Rate	10 k, 20 k, 50 k, 100 k, 125 k, 250 k, 500 k, 800 k and 1 Mbps
Isolation	3000 Vrms on the CAN side
Terminator Resistor	Selectable 120 Ω terminator resistor by jumper
Support Protocol	CAN 2.0A/2.0B
Receive Buffer	1000 data frames
Max Data Flow	250 fps
UART Interface	
Connector	USB Type B
Baud Rate	921.6 kbps fixed
Compatibility	USB 1.1 and 2.0 standard
Receive Buffer	900 data frames
Power	
Power Consumption	1.5W
LED	
Round LED	ON LED: Power and Data Flow; ERR LED: Error
Mechanism	
Installation	DIN-Rail
Dimensions	72mm x 112mm x 33mm (W x L x H)
Environment	
Operating Temp.	-25 ~ 75 °C
Storage Temp.	-30 ~ 80 °C
Humidity	10 ~ 90% RH, non-condensing

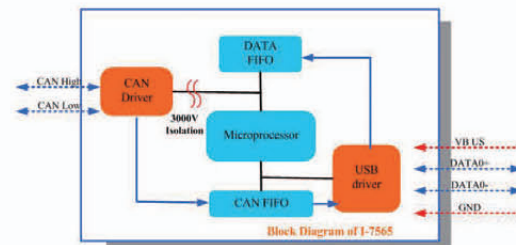
Software Architecture



Application



Block Diagram



Ordering Information

I-7565-G CR	Intelligent USB to CAN converter (RoHS)
-------------	---