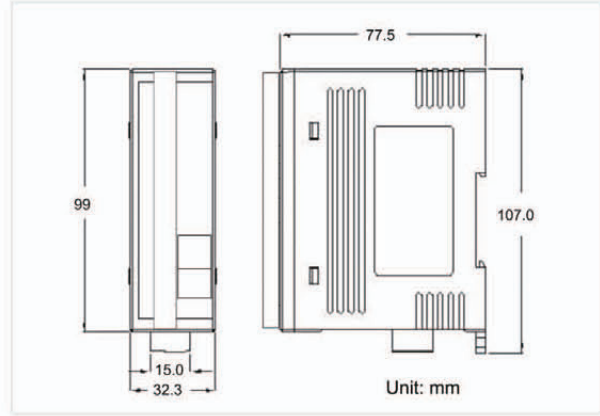




**CAN-2054D**



**Dimensions**

The CAN-2054D follows DeviceNet specification Volume I/II, Release 2.0. User can access the digital I/O status and set the configuration via DeviceNet EDS file. This module has 8-channel isolated sink/source input and 8-channel isolated sink output. It can be applied to various applications, such as PNP, NPN, TTL, relay contact and so forth. By the DeviceNet masters of ICP DAS, you can quickly build a DeviceNet network to approach your requirements.

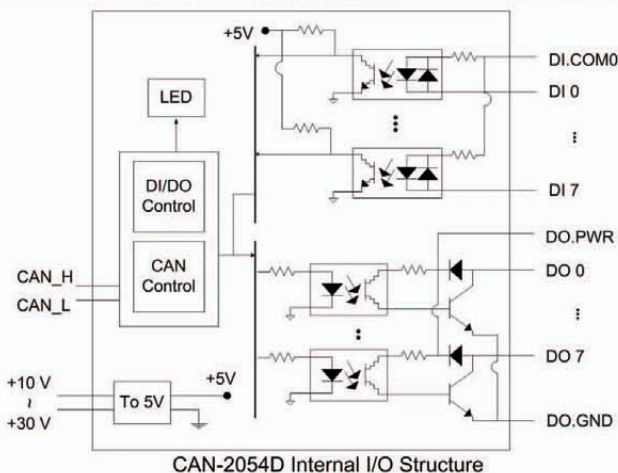
### Features

- DeviceNet general I/O slave devices
- Comply with DeviceNet specification Volume I, Release 2.0 & Volume II, Release 2.0, Errata 5
- Group 2 Only Server (non UCMM-capable)
- Support Predefined Master/Slave Connection Set
- Connection supported:
  - 1 connection for Explicit Messaging
  - 1 connection for Polled I/O
  - 1 connection for Bit-Strobe I/O connection
- Support DeviceNet heartbeat and shutdown messages
- Provide EDS file for DeviceNet master interface

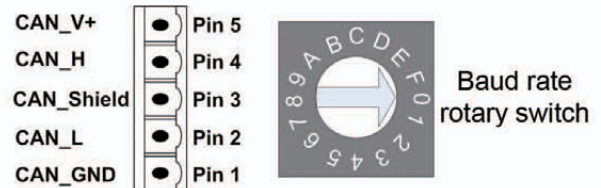
### I/O Pin & Wire Connection

Terminal No.	Pin Assignment	Input Type	ON State LED ON Readback as 1	OFF State LED OFF Readback as 0
01	DI.COM	Relay Contact	Relay On	Relay Off
02	DI0			
03	DI1			
04	DI2	TTL/CMOS Logic	Voltage > 10 V	Voltage < 4 V
05	DI3			
06	DI4			
07	DI5	NPN Output	Open Collector On	Open Collector Off
08	DI6			
09	DI7			
10	DO0	PNP Output	Open Collector On	Open Collector Off
11	DO1			
12	DO2			
13	DO3	Output Type	ON State LED ON Readback as 1	OFF State LED OFF Readback as 0
14	DO4		Relay Off	Relay On
15	DO5			
16	DO6	Drive Relay		
17	DO7			
18	DO.GND			
19	DO.GND	Resistance Load		
20	DO.PWR			

### Internal I/O Structure



### CAN Pin & Baud Rate Rotary

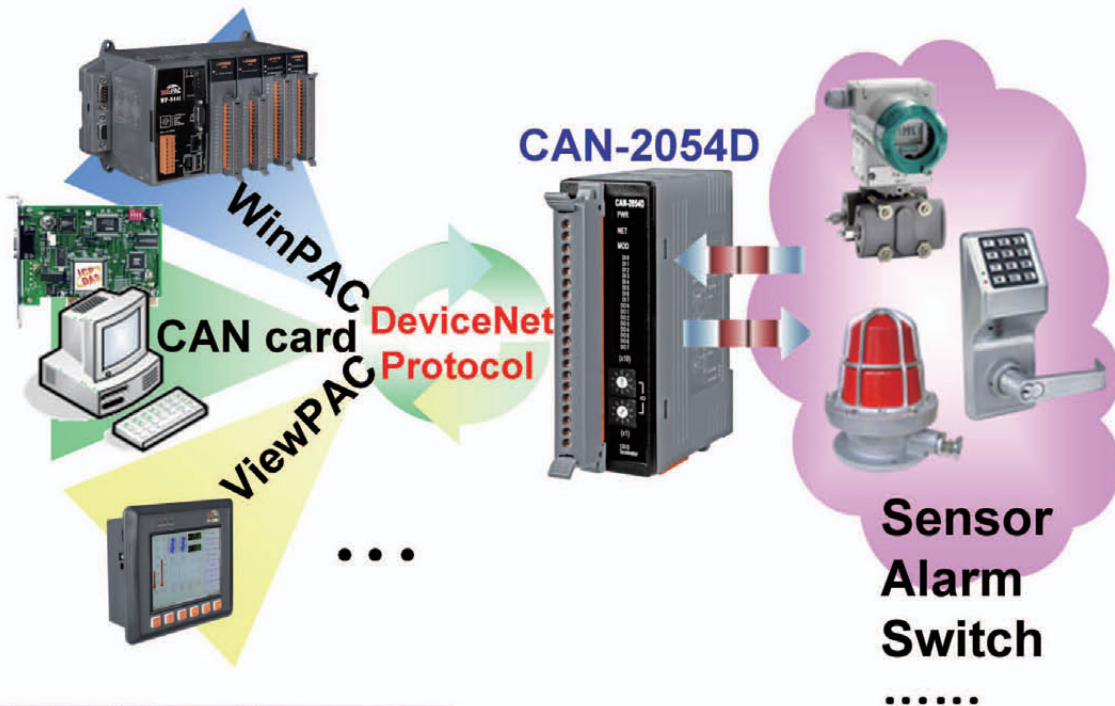


Rotary Switch Value	Baud rate (kbps)
0	125
1	250
2	500

## Hardware Specifications

<b>CAN Interface</b>	
DeviceNet Specification	Volume I, Release 2.0 & Volume II, Release 2.0, Errata 5
DeviceNet subscribe	Group 2 Only Server
Connection supported	1 connection for Explicit Messaging 1 connection for Polled I/O 1 connection for Bit-Strobe I/O
Node ID	0~63 selected by rotary switch
Baud Rate (bps)	125 kbps, 250 kbps, 500 kbps
Heartbeat/Shutdown message	Yes
Terminator Resistor	Switch for 120 Ω terminator resistor
<b>Digital Input</b>	
Channels	8 (Sink/Source)
On Voltage Level	+3.5 ~ +30 V <sub>DC</sub>
Off Voltage Level	+1 V <sub>DC</sub> Max.
Input Impedance	3 kΩ, 0.3 W
<b>Digital Output</b>	
Channels	8 (Sink)
Load Voltage	+5 ~ +30 V <sub>DC</sub>
Output Max Load Current	700 mA per channel
Output Type	Open Collector
<b>LED</b>	
Round LED	PWR LED, NET LED, MOD LED
I/O LED	8 LEDs as Digital Output, 8 LEDs as Digital Input, and 1 LED as terminal resistor indicator
<b>Power</b>	
Input range	Unregulated +10 ~ +30 V <sub>DC</sub>
Power Consumption	1.5 W
<b>Mechanism</b>	
Installation	DIN-Rail
Dimensions	32.3 mm x 99 mm x 77.5 mm (W x L x H)
<b>Environment</b>	
Operating Temp.	-25 ~ 75 °C
Storage Temp.	-30 ~ +80 °C
Humidity	10 ~ 90% RH, non-condensing

## Application



## Ordering Information

CAN-2054D	The DeviceNet module of 8-channel Digital Input and 8-channel Digital Output
-----------	--