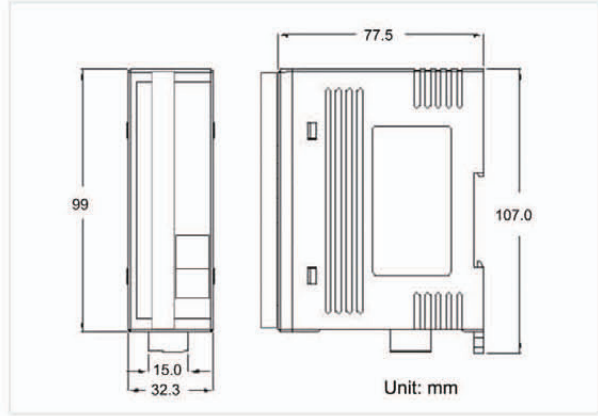




CAN-2018D



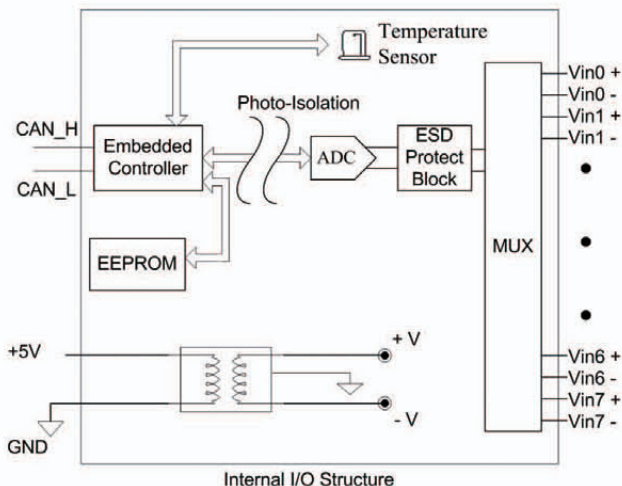
Dimensions

The CAN-2018D follows DeviceNet specification Volume I/II, Release 2.0. User can access the thermocouple input status and set the configuration via DeviceNet EDS file. This module has 8 differential thermocouple input channels. By the DeviceNet masters of ICP DAS, you can quickly build a DeviceNet network to approach your requirements.

Features

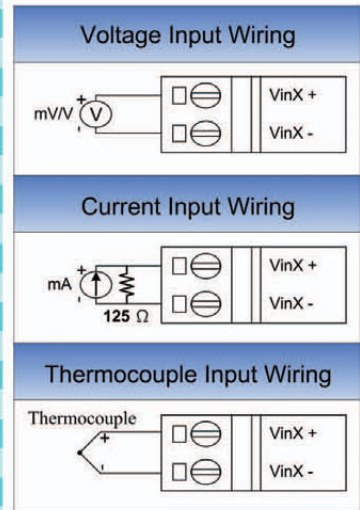
- DeviceNet general I/O slave devices
- Comply with DeviceNet specification Volume I, Release 2.0 & Volume II, Release 2.0, Errata 5
- Group 2 Only Server (non UCMM-capable)
- Support Predefined Master/Slave Connection Set
- Connection supported:
 - 1 connection for Explicit Messaging
 - 1 connection for Polled I/O
 - 1 connection for Bit-Strobe I/O connection
- Support DeviceNet heartbeat and shutdown messages
- Provide EDS file for DeviceNet master interface

Internal I/O Structure



I/O Pin & Wire Connection

Terminal No.	Pin Assignment
01	Vin 0 +
02	Vin 0 -
03	Vin 1 +
04	Vin 1 -
05	Vin 2 +
06	Vin 2 -
07	Vin 3 +
08	Vin 3 -
09	Vin 4 +
10	Vin 4 -
11	Vin 5 +
12	Vin 5 -
13	Vin 6 +
14	Vin 6 -
15	Vin 7 +
16	Vin 7 -
17	N/A
18	N/A
19	N/A
20	N/A



CAN Pin & Baud Rate Rotary

- CAN_V+ Pin 5
- CAN_H Pin 4
- CAN_Shield Pin 3
- CAN_L Pin 2
- CAN_GND Pin 1



Baud rate rotary switch

Rotary Switch Value	Baud rate (kbps)
0	125
1	250
2	500

Hardware Specifications

CAN Interface	
DeviceNet Specification	Volume I, Release 2.0 & Volume II, Release 2.0, Errata 5
DeviceNet subscribe	Group 2 Only Server
Connection supported	1 connection for Explicit Messaging 1 connection for Polled I/O 1 connection for Bit-Strobe I/O
Node ID	0~63 selected by rotary switch
Baud Rate (bps)	125 kbps, 250 kbps, 500 kbps
Heartbeat/Shutdown message	Yes
Terminator Resistor	Switch for 120 Ω terminator resistor
Analog Input	
Channels	8 Differential
Input Type	+/- 15mV, +/- 50mV, +/- 100mV +/- 500mV, +/- 1V, +/- 2.5V -20mA ~ +20mA(Requires Optional External 125 Ohm Resistor) Thermocouple(J, K, T, E, R, S, B, N, C)
Resolution	16-bit
ESD Protection	4 kV Contact for each channel
LED	
Round LED	PWR LED, NET LED, MOD LED
I/O LED	1 LED as terminal resistor indicator
Power	
Input range	Unregulated +10 ~ +30 V _{DC}
Power Consumption	1.5 W
Mechanism	
Installation	DIN-Rail
Dimensions	32.3 mm x 99 mm x 77.5 mm (W x L x H)
Environment	
Operating Temp.	-25 ~ 75 °C
Storage Temp.	-30 ~ 80 °C
Humidity	10 ~ 90% RH, non-condensing

Application



Ordering Information

CAN-2018D	DeviceNet module of 8-channel Differential Thermocouple Input
-----------	---