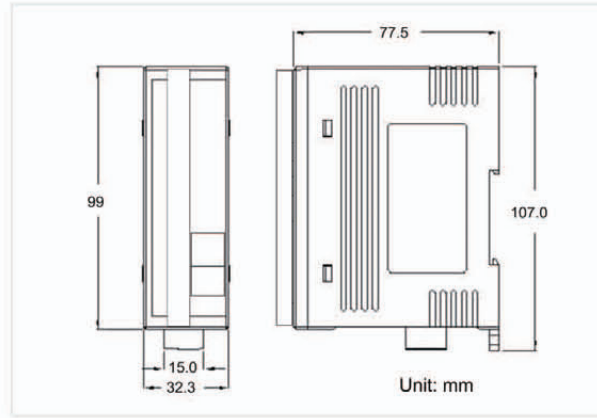


## Analogue Input module of CANopen Slave



**CAN-2017C**



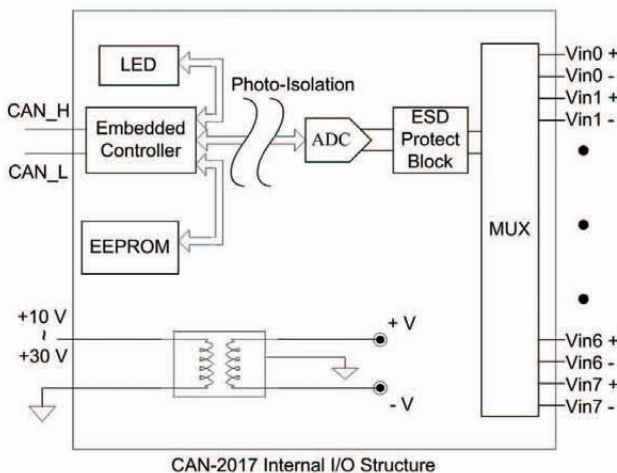
**Dimensions**

CAN-2017C module follows the CiA DS-301 version 4.02 and DSP-401 version 2.1. You can access the analogue input status and set the configuration by using standard CANopen protocol. CAN-2017C has passed the validation of the CiA CANopen Conformance Test tool. Therefore, you can use it with standard CANopen master easily by applying the EDS file. CAN-2017C has 8-channel differential analogue input. By owing to the CANopen masters of ICP DAS, you can quickly build a CANopen network to approach your requirement.

### Features

- NMT Slave
- NMT Error Control support Guarding and Heartbeat
- Provide default EDS file
- Passed the validation of CiA CANopen Conformance Test tool
- Sampling mode support normal and fast mode
- ESD Protection 4 KV Contact for each channel
- Support Power Supply +10 ~ +30 V<sub>DC</sub>
- Support CiA DS-301 v4.02, DSP-401 v2.1
- Support Dynamic PDO

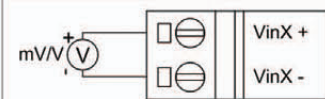
### Internal I/O Structure



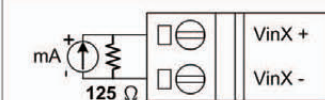
### I/O Pin & Wire Connection

Terminal No.	Pin Assignment
01	Vin 0 +
02	Vin 0 -
03	Vin 1 +
04	Vin 1 -
05	Vin 2 +
06	Vin 2 -
07	Vin 3 +
08	Vin 3 -
09	Vin 4 +
10	Vin 4 -
11	Vin 5 +
12	Vin 5 -
13	Vin 6 +
14	Vin 6 -
15	Vin 7 +
16	Vin 7 -
17	N/A
18	N/A
19	N/A
20	N/A

#### Voltage Input Wiring



#### Current Input Wiring



### CAN Pin & Baud Rate Rotary

CAN_V+	Pin 5
CAN_H	Pin 4
CAN_Shield	Pin 3
CAN_L	Pin 2
CAN_GND	Pin 1



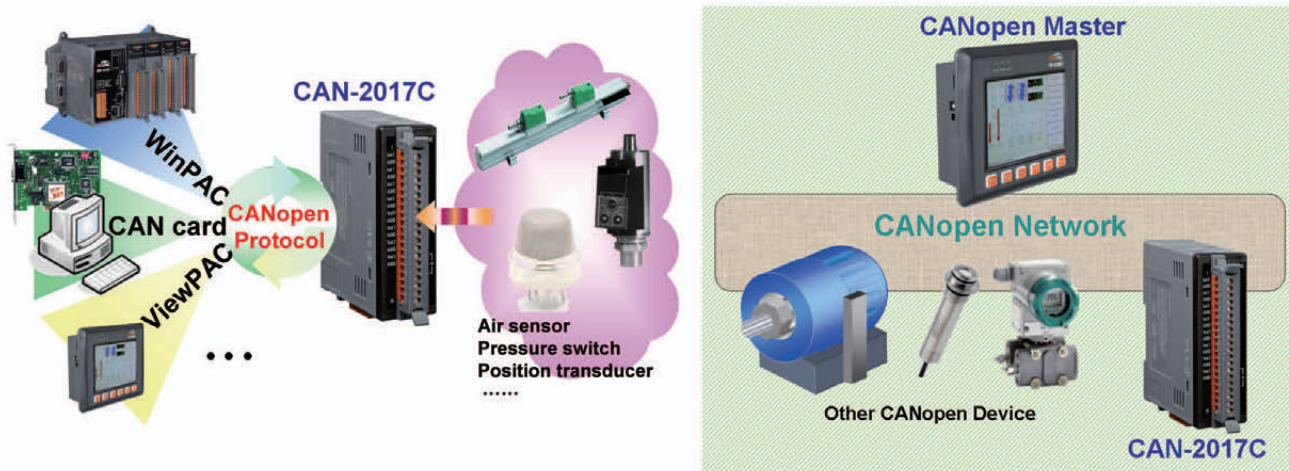
Baud rate rotary switch

Switch Value	Baud Rate
0	10 kbps
1	20 kbps
2	50 kbps
3	125 kbps
4	250 kbps
5	500 kbps
6	800 kbps
7	1000 kbps

## Hardware Specifications

<b>CAN Interface</b>	
Connector	5-pin screwed terminal block (CAN_GND, CAN_L, CAN_SHLD, CAN_H, CAN_V+)
Baud Rate (bps)	10 k, 20 k, 50 k, 125 k, 250 k, 500 k, 800 k, 1M
Terminator Resistor	Switch for 120 Ω terminator resistor
Node ID	1~99 selected by rotary switch
Protocol	CANopen DS-301 ver4.02, DS-401 ver2.1
No. of PDOs	10 Rx, 10 Tx (support dynamic PDO)
PDO Mode	Event Triggered, Remotely requested, Cyclic and acyclic SYNC
Error Control	Node Guarding protocol and Heartbeat Producer protocol
Emergency Message	Yes
<b>Analogue Input</b>	
Channels	8 Differential
Voltage Range	+/-10 V, +/-5 V, +/-1 V, +/-500 mV, +/-150 mV
Current Range	-20 mA ~ +20 mA (Requires Optional External 125Ω Resistor)
ESD Protection	4 kV Contact for each channel
<b>LED</b>	
Round LED	PWR LED, RUN LED, ERR LED
I/O LED	8 LEDs as Current or Voltage input, and 1 LED as terminal resistor indicator
<b>Power</b>	
Input range	Unregulated +10 ~ +30 V <sub>DC</sub>
Power Consumption	1.5 W
<b>Mechanism</b>	
Installation	DIN-Rail
Dimensions	32.3 mm x 99 mm x 77.5 mm (W x L x H)
<b>Environment</b>	
Operating Temp.	-25 ~ 75 °C
Storage Temp.	-30 ~ 80 °C
Humidity	10 ~ 90% RH, non-condensing

## Application



## Ordering Information

CAN-2017C	CANopen module of 8-channel Differential Analogue Input
-----------	---