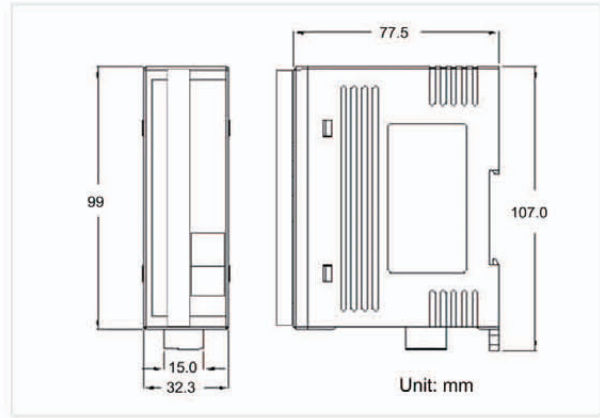


8-channel RTD Input Module of CANopen Slave



CAN-2015C



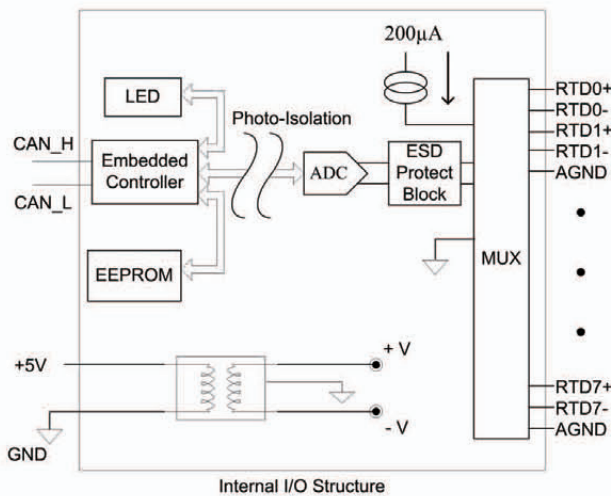
Dimensions

CAN-2015C module follows the CiA DS-301 version 4.02 and DSP-401 version 2.1. You can access the thermocouple input status and set the configuration by using standard CANopen protocol. CAN-2015C has passed the validation of the CiA CANopen conformance test tool. Therefore, you can use it with standard CANopen master easily by applying the EDS file. CAN-2015C has 8 differential RTD input channels. By the CANopen masters of ICP DAS, you can quickly build a CANopen network to approach your requirement.

Features

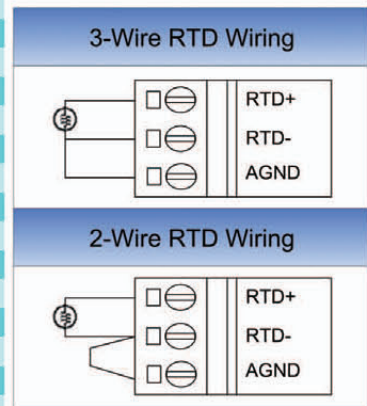
- NMT Slave
- NMT Error Control support Guarding and Heartbeat
- Provide default EDS file
- Passed the validation of CiA CANopen conformance test tool
- ESD Protection 4 KV Contact for each channel
- Support Power Supply +10 ~ +30 V_{DC}
- Support CiA DS-301 v4.02, DSP-401 v2.1
- Support Dynamic PDO

Internal I/O Structure



I/O Pin & Wire Connection

Terminal No.	Pin Assignment
01	RTD0+
02	RTD1-
03	RTD1+
04	RTD1-
05	AGND
06	RTD2+
07	RTD2-
08	RTD3+
09	RTD3-
10	AGND
11	RTD4+
12	RTD4-
13	RTD5+
14	RTD5-
15	AGND
16	RTD6+
17	RTD6-
18	RTD7+
19	RTD7-
20	AGND



CAN Pin & Baud Rate Rotary

CAN_V+	Pin 5
CAN_H	Pin 4
CAN_Shield	Pin 3
CAN_L	Pin 2
CAN_GND	Pin 1



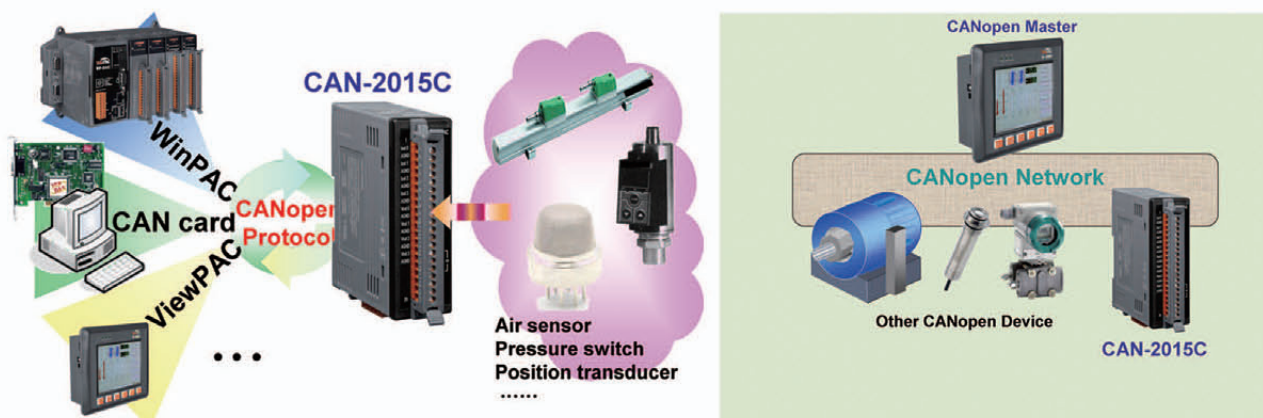
Baud rate rotary switch

Switch Value	Baud Rate
0	10 kbps
1	20 kbps
2	50 kbps
3	125 kbps
4	250 kbps
5	500 kbps
6	800 kbps
7	1000 kbps

Hardware Specifications

CAN Interface	
Connector	5-pin screwed terminal block (CAN_GND, CAN_L, CAN_SHLD, CAN_H, CAN_V+)
Baud Rate (bps)	10 k, 20 k, 50 k, 125 k, 250 k, 500 k, 800 k, 1 M
Terminator Resistor	Switch for 120 Ω terminator resistor
Node ID	1~99 selected by rotary switch
Protocol	CANopen DS-301 ver4.02, DS-401 ver2.1
No. of PDOs	10 Rx, 10 Tx (support dynamic PDO)
PDO Mode	Event Triggered, Remotely requested, Cyclic and acyclic SYNC
Error Control	Node Guarding protocol and Heartbeat Producer protocol
Emergency Message	Yes
Analogue Input	
Channels	8 Differential
Voltage Range	Pt100, Pt1000, Ni120, Cu100, Cu1000
Current Range	16-bit
ESD Protection	4 kV Contact for each channel
LED	
Round LED	PWR LED, RUN LED, ERR LED
I/O LED	8 LEDs as RTD indicator, and 1 LED as terminal resistor indicator
Power	
Input range	Unregulated +10 ~ +30 V _{DC}
Power Consumption	1.5 W
Mechanism	
Installation	DIN-Rail
Dimensions	32.3 mm x 99 mm x 77.5 mm (W x L x H)
Environment	
Operating Temp.	-25 ~ 75 °C
Storage Temp.	-30 ~ 80 °C
Humidity	10 ~ 90% RH, non-condensing

Application



Ordering Information

CAN-2015C	CANopen module of 8-channel Differential RTD Input
-----------	--