

# Industrial I/O Modules

# 6

6.1	Overview	P6-1-1
6.2	Analog Modules	P6-2-1
6.3	Digital Modules	P6-3-1
6.4	Multi Function/Strain Gauge Modules	P6-4-1
6.5	Vibrating Wire Input Modules	P6-5-1
6.6	Counter/Frequency/PWM Modules	P6-6-1
6.7	Motion Control Modules	P6-7-1
6.8	Serial Communication Modules (Parallel Bus)	P6-8-1
6.9	CAN/CANopen/DeviceNet Communication Modules (Parallel/Serial Bus)	P6-9-1
6.10	FRnet Communication Modules (Parallel Bus)	P6-10-1
6.11	Ethernet Communication Modules (Parallel Bus)	P6-11-1
6.12	GPS/GSM/GPRS Modules	P6-12-1



# 6.1. I/O Modules

6

Industrial I/O Modules

## • Overview

There are two types of I/O modules, parallel and serial. Both type of the modules can be plugged into the slots of PAC series. But only the serial module can be used in remote I/O units, such as RU-87Pn and ET-87Pn. Up to now, over 100 I/O, communication and motion control modules are available. For the new generation PACs, only the high profile I-8KW and I-87KW I/O modules can be used.

### 1. Parallel I/O Modules (I-8KW Series) Includes

- High speed A/D: 100 k samples/second
- High speed D/A: 30 k (-10 ~ +10 V)
- High speed DI & DO: All Digital I/O modules provide visual indication of status via LED indicators
- High speed stepping/Servo motion control modules
- High speed encoder modules
- High performance Counter/Frequency modules
- High speed multi-channel RS-232/422/485 modules
- CAN bus communication modules
- FRnet communication modules

### 2. Serial I/O modules (I-87KW Series) Includes

- RTD Input modules
- Thermocouple Input modules
- Strain Gauge Input modules
- VW Input modules
- High resolution multi-channel Analog Input modules
- Isolated multi-channel D/A modules
- Digital Input and Digital Output modules with Latch and counter function
- Counter/Frequency modules

1

Overview



### 3. Comparison Table of I-8KW Series and I-87KW Series

Item	I-8KW Series	I-8KRW Series	I-87KW Series
Communication Interface	Parallel bus	Parallel bus	Serial bus
Protocol	-	-	DCON
DI with latched function	-	-	Y
DI with counter input	-	-	Y (100 Hz)
Power on value	-	Y	Y
Safe value	-	Y	Y
Programmable slew-rate for AO module	-	-	Y

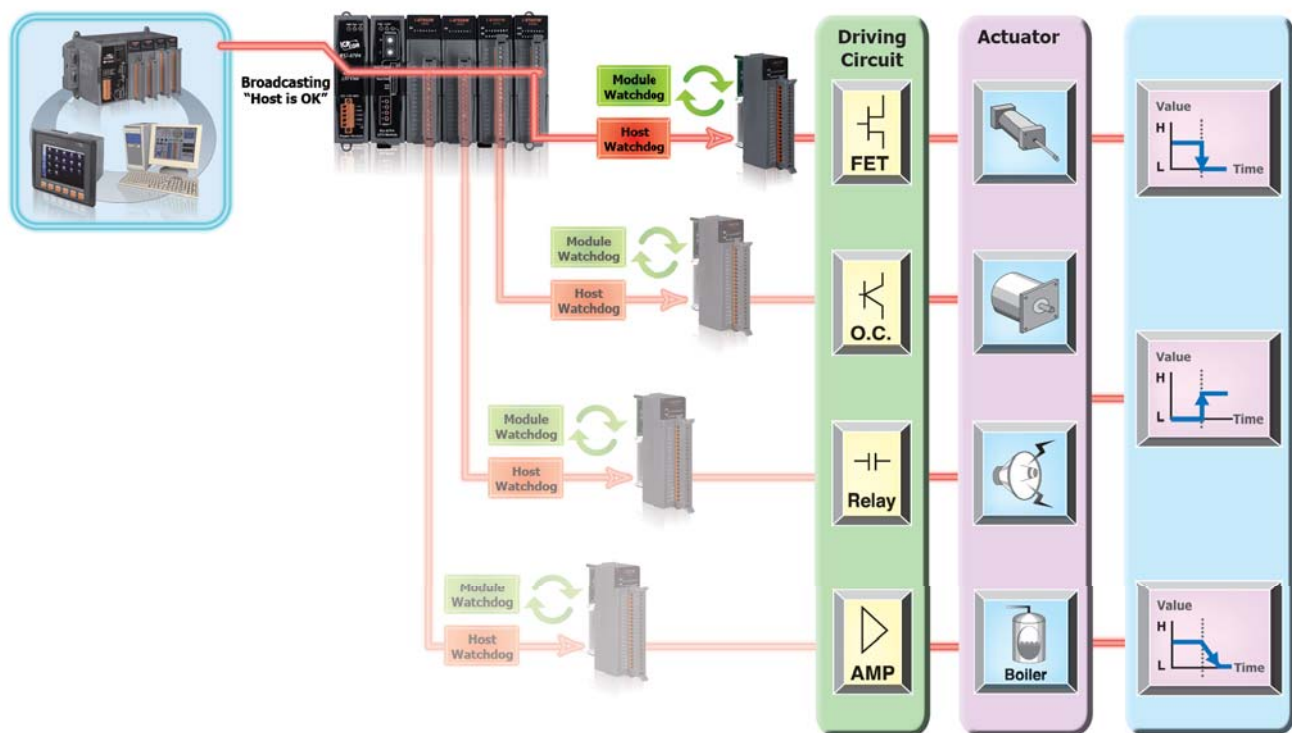
4. Supporting list of MCU (Main Control Unit) and I/O expansion unit:

Item	I-8K Series		I-87K Series	
	High Profile	Low Profile	High Profile	Low Profile
XPAC	Y	-	Y	-
WinPAC	Y	-	Y	-
LinPAC	Y	-	Y	-
iPAC	Y	-	Y	-
ViewPAC	Y	-	Y	-
RU-87P1/2/4/8	-	-	Y	-
USB-87P1/2/4/8	-	-	Y	-
ET-87P4/8	-	-	Y	-
I-8KE4/8	Y	Y	Y	Y
I-8KE4/8-MTCP	Y	Y	Y	Y
I-87K4/5/8/9	-	-	Y	Y

5. Hot features

Dual Watchdog Operation

The I-87K I/O modules include an internal Dual Watchdog. It is the combination of module watchdog and host watchdog. The module watchdog is a hardware watchdog designed to reset the micro-controller of the module when the module fails. This mechanism can keep the module work continuously without disruption. The host watchdog is a software watchdog that monitors the operating status of the host controller, such as PAC, PC... etc. When the host fails, the outputs of the module will be set to the safe values to prevent any erroneous operations. With Dual Watchdog, the control system is more reliable and stable.



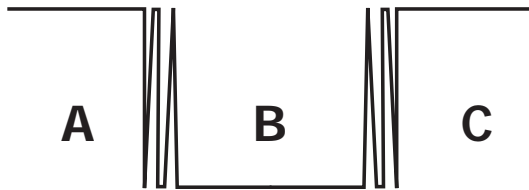
**Power On Value and Safe Value of Digital/Analog Output**

Besides setting by the set digital/analog output commands, the digital/analog outputs can be set under two other conditions. When the host watchdog is enabled and a host watchdog timeout occurs, the "safe value" is loaded into the digital/analog output ports. The set digital/analog output commands have no effect on the digital/analog output ports until the host watchdog timeout status is cleared. The host watchdog timeout status is saved in the EEPROM. The status is not changed even after power-on reset. It can be cleared only by the reset host watchdog timeout status command ~AA1. See Section A.2 for host watchdog details.

When the module is powered on and the host watchdog timeout status is cleared, the "power-on value" is loaded into the digital/analog output ports. If the host watchdog timeout status is not cleared on power-on, then the safe value is loaded into the digital/analog output ports. Both the safe value and power-on value are set by the ~AA5V command.

**Latched Digital Input**

The I-87K DIO modules provide commands to read the latched high digital input and latched low digital input status. Following is an example to show the usefulness of the latched digital input. When we want to read the key stroke of a key switch connected to the digital input channel of a module, the input signal of the key stroke is a pulse signal as shown in the following figure.



If we just use the read digital input status command to read the signal and we cannot send the command during the B period due to some reasons, then we will lose the key stroke information. However, with the read latched digital input command, we can still get the key stroke information even we are not able to send command in B period.